

INTERFLEX

INTERNATIONAL

Factory Parts Catalog

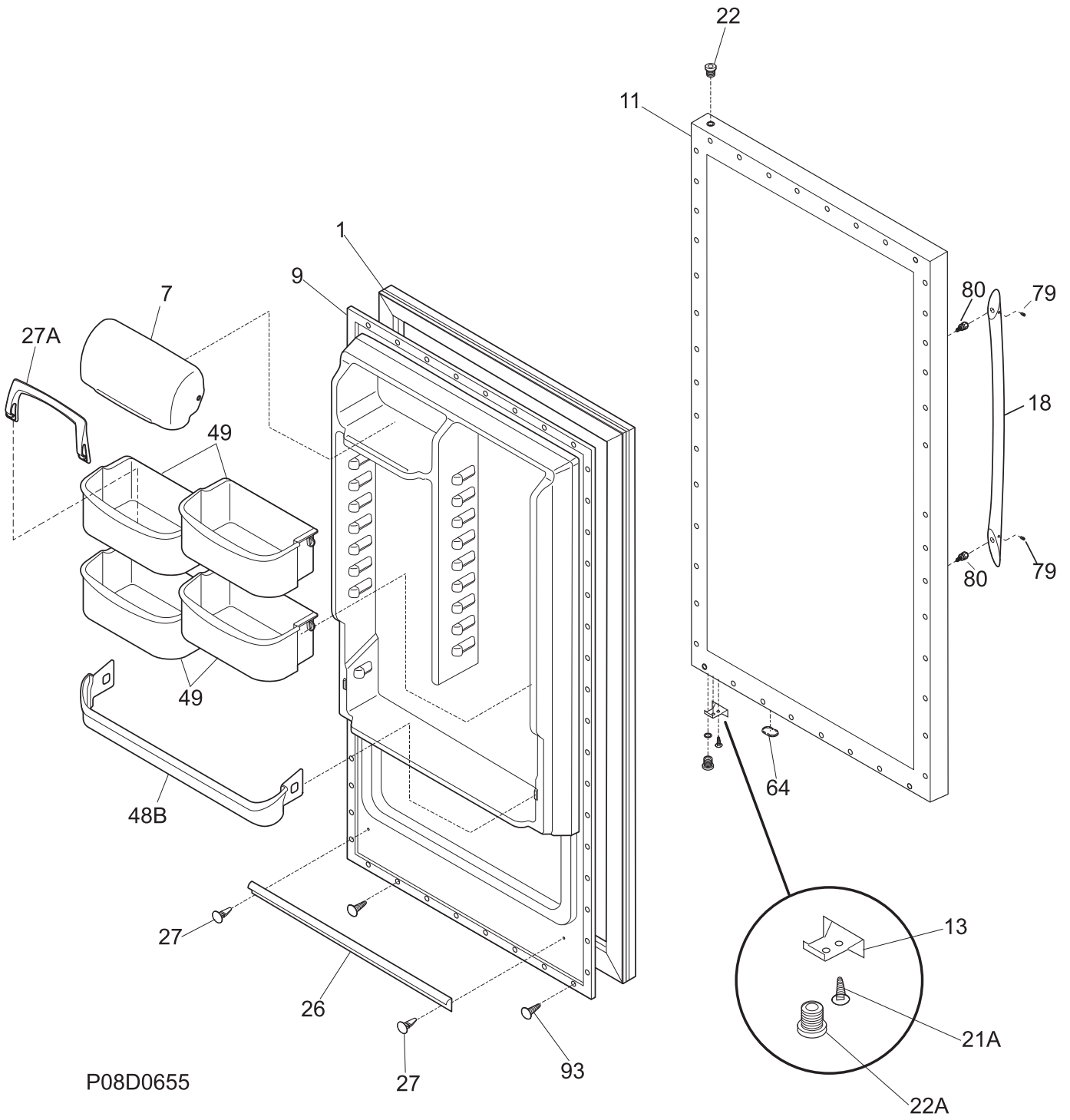
Product No.	MRAD17V9GS6
Series	Twins
Color	black-s/s
Volts	230V
Wiring Diagram	297005300
Owner's Guide	297038600
Market	International

UPRIGHT FREEZER

Model No.
MRAD17V9GS

Publication No.
5995613337
12/05/23
(EN/SERVICE/VJW)
365

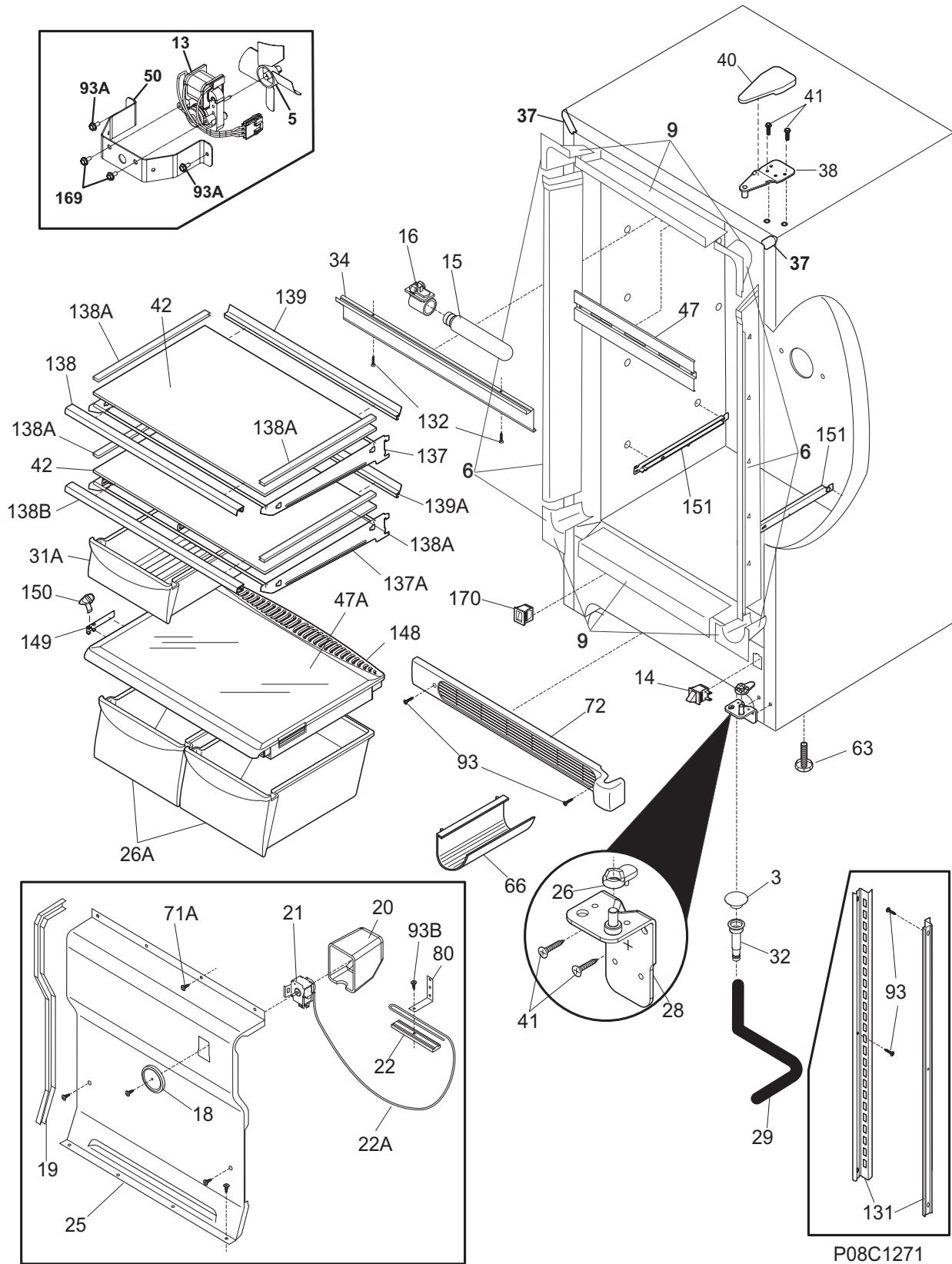
DOOR



DOOR

POS. NO	PART NO.	DESCRIPTION
1	216522361	Gasket-door, black
7	240338313	Door, dairy, clear
9	216953600	Panel-inner door, refr
11	297316524	Panel-outer door, stainless
13	297257000	Door Stop, chrome, RH
18	240536818	Handle-door, stainless steel, with insert, & set screw
21A	297197500	Screw, door stop mtg, FH38-16X.750, P Twin
22	216970800	Bearing, hinge w/o'ring, top
22A	297006800	Bearing-hinge, btm, w/o'ring
26	216524201	Gasket, secondary
27	5304472186	Clip, panel mtg
27*	5304406520	Clip, panel mtg kit, (40)
27A	240396102	Retainer, tall bottle
48B	240338001	Bin-door, pseudo, gallon, refr
49	216959802	Bin-door, 2-liter, (4)
64	216403700	Plug-button, hole filler, door base
79	218755402	Screw-set, 10-32 x 0.375
80	218755504	Screw-shoulder, #10 AB, handle mounting
93	216858001	Screw, 8-18x.50 AB, #10

CABINET

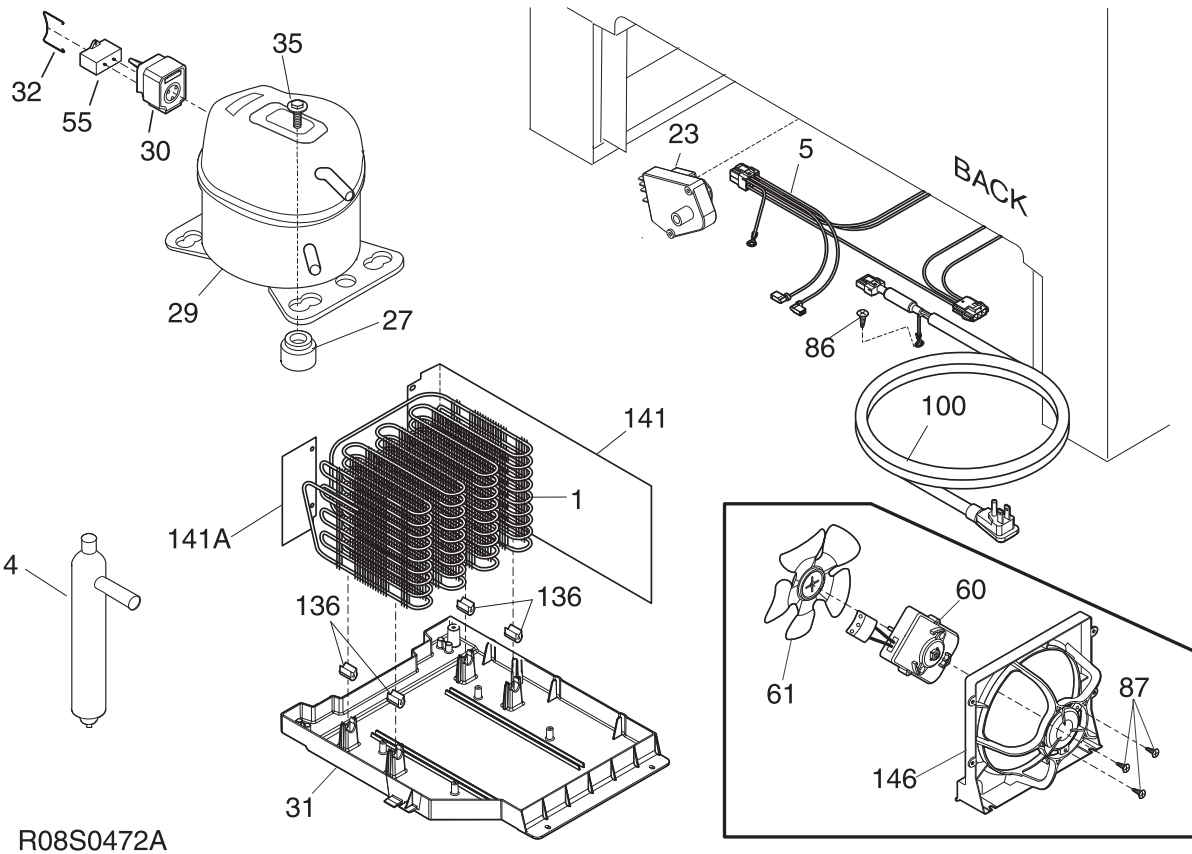
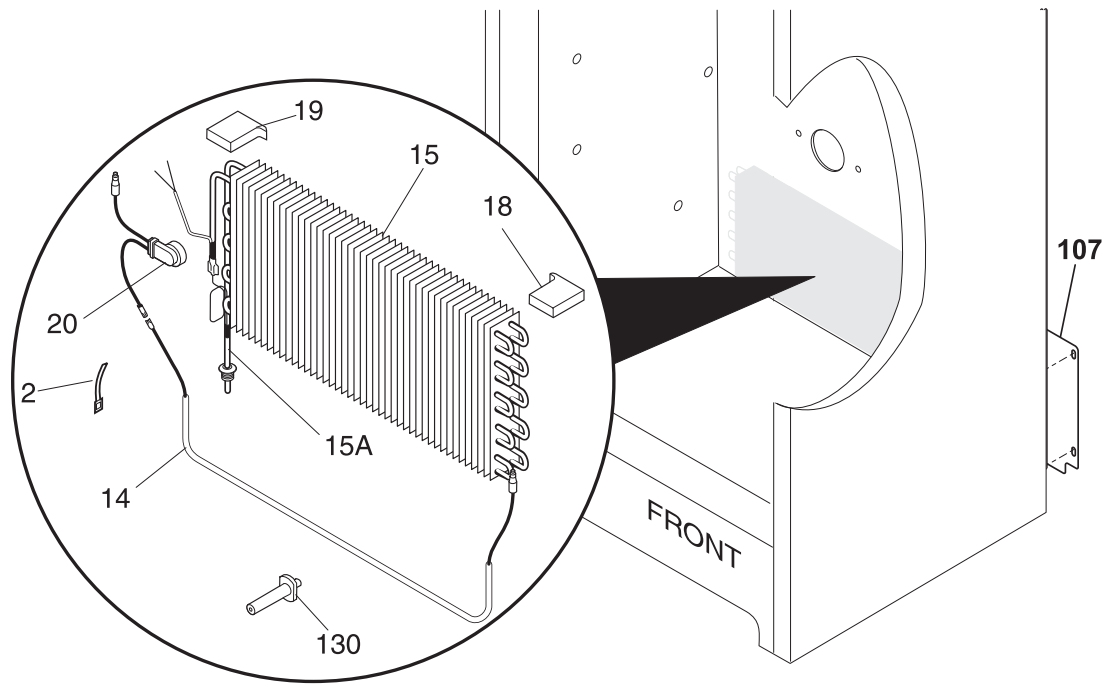


P08C1271

CABINET

POS. NO	PART NO.	DESCRIPTION
3	216503100	Screen-drain
5 #	216325600	Fan Blade
6	297200600	Breaker Kit w/corners, no lock slot
9	297200100	Breaker Kit w/corners, 32", top and bottom
13 #	297250010	Motor-fan, 230V
14	216922800	Switch, light/lamp, ramp
15 #	216867800	Light Bulb/Lamp, 230-250V
16	216817600	Socket, light/lamp, 25 W
*	216876300	Collar, light socket
18	216707200	Knob, temp control
19	216204902	Gasket-evap cover
20	216967200	Cover, temp control
21 #	216715504	Control-temperature
22	216823500	Clamp, cap tube, cold control
22A	297058500	Tube, 10", plastic
25	297099250	Cover-evaporator
26	216503300	Ramp, door closer
26A	216959900	Pan-crisper, (2)
28	297283900	Hinge-bottom, stepped pin
29	216313501	Hose-drain
*	216273000	Clip, wire retainer
31A	240530811	Pan-meat, w/o graphics, clear
32	5308005500	Drain
34	216816200	Shield-light
*	297014000	Shield, light, plastic
37	297273901	Trim-cabinet corner, black, (2)
38	297283800	Hinge-upper
40	297164401	Cover-upper hinge, black
41	297236250	Screw, hex head, 1/4-20x5/8, hinge
42	216983101	Glass-shelf, full shelf
47	216661601	Baffle-plate
47A	240350650	Insert-pan cover, glass
50	216394050	Bracket, fan motor mount
63	216396900	Screw, leveling foot, plastic, adjustable
63*	297164650	Bracket, LH leg levelor
63*	297164651	Bracket, RH leg levelor
66	5303295947	Rack-wine
71A	297146820	Screw, 8-18AB x.470 QX
72	297036901	Grille/Kickplate, 32", black
80	06594601	Bracket, control
93	216858001	Screw, 8-18x.50 AB, #10
93A	297174300	Screw, self pierce, #8, 18x.63
93B	5304460604	Screw, type A, 10-24 x 3/8
131	241513001	Channel-shelf mtg, side, (2)
132	5304460601	Screw, 6-20AB x 3/8
137	297050600	Frame-shelf, cantilever, (2)
137A	297050601	Frame-shelf, cantilever
138	297050700	Trim-shelf, front, (2)
138A	216983601	Trim-shelf, side
138B	297050701	Trim-shelf, front
139	297050800	Trim-shelf, rear, (2)
139A	297050801	Trim-shelf, rear
148	216995501	Cover-crisper pan
149	240361301	Damper, humidity cont.
150	240361202	Knob, humidity cont.
151	216988200	Support-crspr cover, RH
151	216988201	Support-crspr cover, LH
169	216912401	Screw, hex washer head, 8-32 x 0.500, bracket fan mtr, (2)
170	297280401	Valve, breather, black
*	297001704	Insulation, 24", drain tube

SYSTEM



SYSTEM

POS. NO	PART NO.	DESCRIPTION
1 #	5300083897	Condenser
2	5308000110	Strap-evap/heater, aluminum, (2)
4 #	216938601	Filter - Dryer
5 #	297171000	Harness-main, 230V
14 #	216730701	Heater-defrost
15 #	216997300	Evaporator
15A	297231800	Heat Exchanger
18	297078701	Insulator-evap, styrofoam, RH
19	297078801	Insulator-evap, styrofoam, LH
20	216731001	Thermostat, defrost
23 #	297318050	Timer, defrost, 230V, tab
27	5308002681	Grommet, compressor
29 #	297056400	Compressor, 220-240V
30	216954209	Controller, compressor
31	297165800	Pan-drain
32	216649200	Clip, controller
35	297368500	Bolt, compressor
55	216985004	Capacitor, run, 5MF
60 #	241657102	Motor-condenser fan
61	241639501	Blade-condenser fan
86	216036601	Screw, RWHD, 8-32A x 0.500, GX-CA
100#	297075901	Cord-power, 220V
107	297194801	Panel, access
130	297244700	Support, evaporator mtg
136	240405201	Grommet, rubber, black, cond tube/wire
141	297164200	Divider, air flow
141A	297194700	Divider, small, air flow
146	297164000	Shroud-fan orifice
146*	216337701	Screw, HWH, 10-24 x 0.500, Swage
*	216502500	Sleeve, suction line
*	297315800	Clip, wire
*	240555002	Screw-#8-32 X 3/8
*	297174300	Screw, self pierce, #8, 18x.63